

Food & Beverage / Room service / In-room dining

Lagoon

Aluminium compact room service table



Standard equipment

- Anodised aluminium frame
- Lifting wooden surface with foldable sides (Ø 1m)
- Bases are nestable for space-saving storage
- 4 swivelling wheels Ø125mm with non-marking thermoplastic layer of which 2 with brake
- 4 swivelling corner pads for protection
- Material delivered flat packed ready to assemble

Technical info

Net weight: 22.8 kg

LAGOON

Options

- Rails for solar box

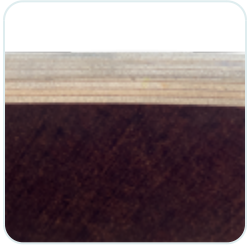


Fleece protection

LAGOON

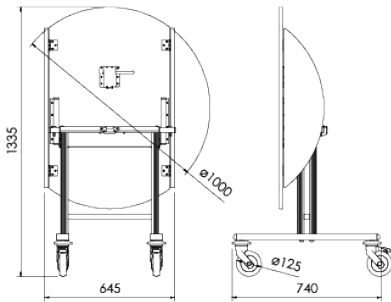
Finishes

Table tops



Combi

Dimensions



LAGOON

Dimensions			
Ø	Height	Type	Wheels Ø
1000 mm	750 mm	swivelling	125 mm
Reference			
17030100			