

Housekeeping / Room attendant trolleys

Despina 800

Discrete housekeeping



Standard equipment

- Capacity: 4 to 6 rooms.
- Anodised aluminium frame.
- Compartment for amenities with lid.
- 3 levels for ranging clean linen.
- 2 doors (opening up to 270°).
- 1 horizontal steering handle.
- 4 swivelling wheels Ø 125 mm with non-marking polyamide / thermoplastic layer.
- 4 swivelling corner pads for protection.

Technical info

- Net weight (without options): 44 kg
- Allowed weight per shelf: 35 kg

DESPINA 800

Options

- Linear dividers or partitioning for amenities compartment or drawer
- Amenities or stationery drawer (432 x 658 x 100 mm or 432 x 658 x 50 mm)
- 5th steering wheel
- Lock on doors / lock on lid
- Mop holder and hook
- Broom holder or clip for vacuum cleaner hose
- Sliding tray for vacuum cleaner
- Hook
- Identification holder
- Motorisation



Sliding tray for vacuum cleaner



Mop holder and hook



Motorisation

DESPINA 800

Finishes

Compact



Caviar



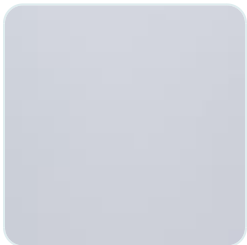
Wenge



Almond



Antique oak



Light grey



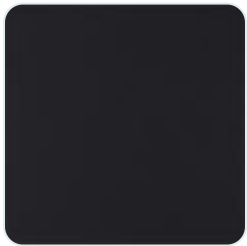
Nappa black leather



Black ash



Buffalo



Infinity black (fingerprint-free)

Anodisation



Natural



Champagne

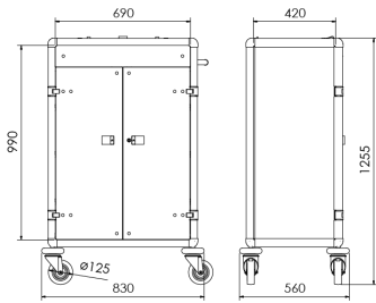


Bronze



Black

Dimensions



DESPINA 800

Overall dimensions			
Width	Depth	Height	Wheels Ø
830 mm	560 mm	1255 mm	125 mm

Inside dimensions	
Width	Depth
690 mm	420 mm